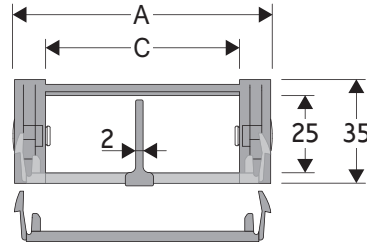


# Serie Medium

## 400 Nylon Cable Chain with removable frames

### Inner height (D) 25 mm

Double share single link joining construction with large anti-friction single-pin. Frames removable from inner radius. Vertical separators are available. Wide frames on outer radius offer good protection. Due to its design with double-share lateral side, the chain is very robust, meanwhile offering very low friction.



### Separator

- Unassembled	Part.no S400
- Assembled	Part.no S400MC

### Pin

Part.no PG305

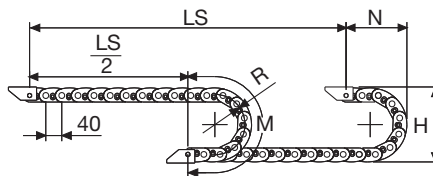
### Technical characteristics when self-supported

Speed	10 m/s
Acceleration	50 m/s <sup>2</sup>

For higher requirements please consult our technical dept.

A	B	C	D	R	Weight/m	Chain
mm	mm	mm	mm	mm	kg	Part Number
62	35	40	25	50	1,10	400040
62	35	40	25	75	1,10	400041
62	35	40	25	100	1,10	400042
62	35	40	25	150	1,10	400043
82	35	60	25	50	1,25	400060
82	35	60	25	75	1,25	400061
82	35	60	25	100	1,25	400062
82	35	60	25	150	1,25	400063

4

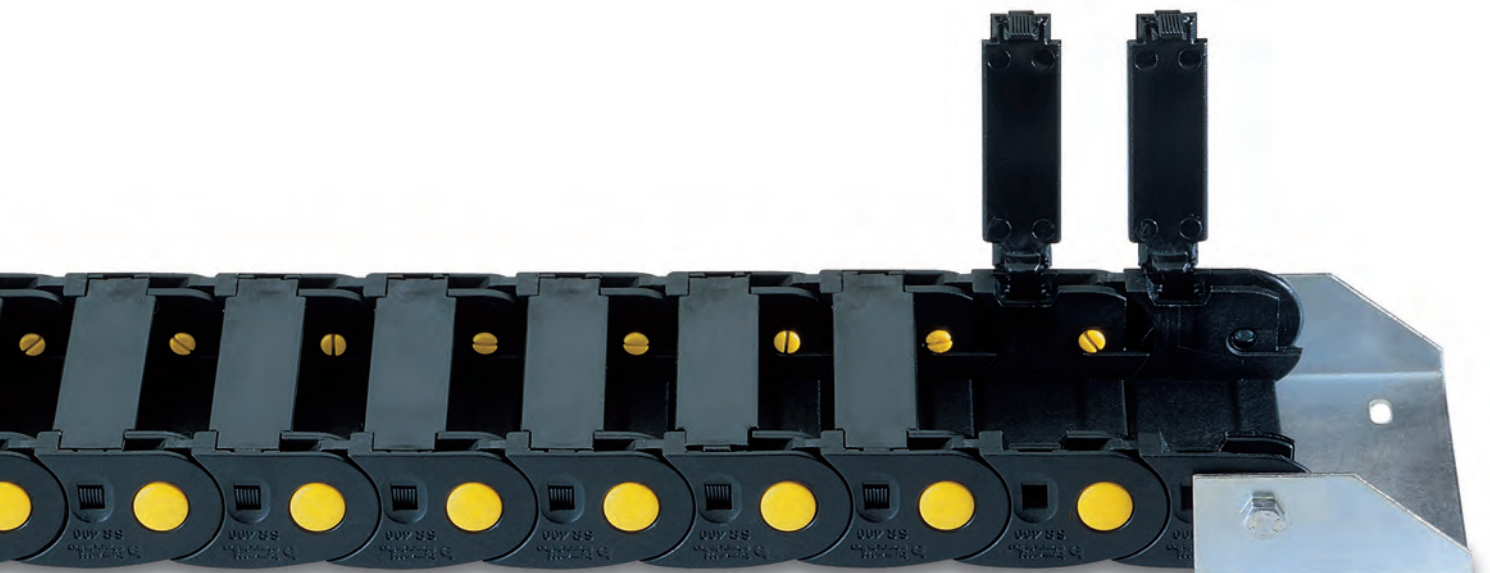


R	H	N	M
mm	mm	mm	mm
50	138	110	240
75	188	135	315
100	238	160	395
150	338	210	555

Length of chain (L)

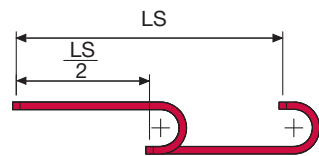
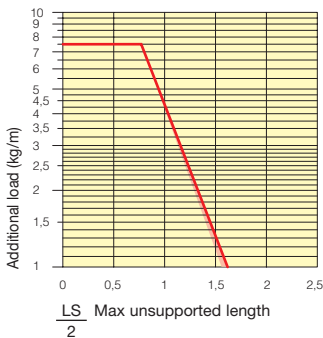
Half travel distance ( $\frac{LS}{2}$ )  
plus length of curve (M)

$$L = \frac{LS}{2} + M$$



### Self-Supporting Capacity Diagram

The maximum length of the self-supporting capacity ( $\frac{LS}{2}$ ) in relationship to the weight of the cables and hoses contained per linear metre.



The red marking in the diagram area considers the difference of weight between various widths of chain.

For applications with  $\frac{LS}{2}$  and weights not included in the area of the diagram showing self-supporting capacity, verify the possible use of support rollers (see page 30).

### End Brackets

The end brackets set allows the two ends of the chain to be attached to the equipment.

#### Nylon Type

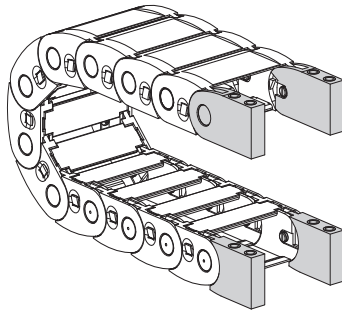


Fig. A  
Chain fixed outside/inside the radius. (Fig A)

#### Bright Zinc Plated Steel Type\*\*\*

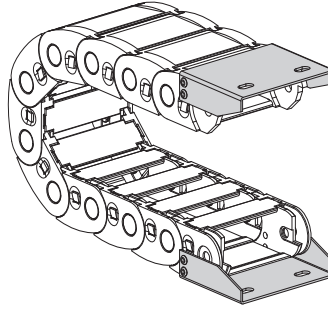
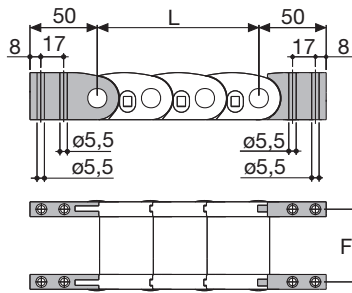


Fig. B  
Chain fixed outside the radius. (Fig B)  
See end brackets mounting variations page 31.

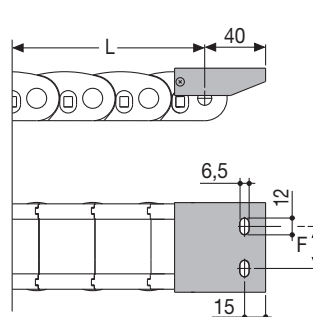


Chain Type	F mm
400 C=40	50
400 C=60	70

#### Nylon Type Part Numbers

Complete Set Assembled Chain Type	End Brackets Set
400 C=40	AN400KM
400 C=60	AN400KM

Complete Set Unassembled Chain Type	End Brackets Set
400 C=40	AN400K
400 C=60	AN400K



Chain Type	F mm
400 C=40	30
400 C=60	50

#### Bright Zinc Plated Steel Type Part Numbers

Complete Set Assembled Chain Type	End Brackets Set
400 C=40	AP400KM1
400 C=60	AG400KM1

Complete Set Unassembled Chain Type	End Brackets Set
400 C=40	AP400K1
400 C=60	AG400K1

\*\*\* Available on request in stainless steel

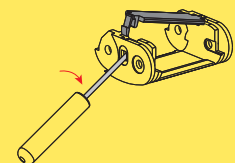
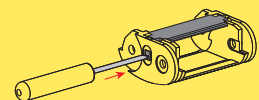
### Serie Medium

## 400

Nylon Cable Chain with removable frames

4

How to open the cover.



Special tool to remove the connecting pivots:  
Part Number PZ010.



For further information please consult Brevetti Stendalto's Technical Office